

2 YEARS OF WARRANTY

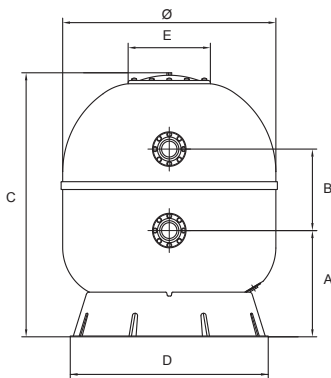


Fibreglass-reinforced laminated polyester filters

- Attractive gelcoat gloss finish
- Wide range: 1050 mm to 2200 mm diameters
- Operating pressures: 0.5 to 2 bar
- Maximum pressure: 2.5 bar
- Testing pressure: 3.75 kg/cm²
- Filtration bed depth: 1m
- Wide 400 mm top opening
- Arm collector as standard
- Installation: singly or banked to increase filtration capacity
- Uses: large pools, water park

Dimensions

Ref	HCFA40752LVA	HCFA47902LVA	HCFA551102LVA	HCFA631102LVA	HCFA701252LVA	HCFA791402LVA	HCFA871602LVA
Ø (mm)	1050	1200	1400	1600	1800	2000	2200
A (mm)	675	675	675	675	675	650	-
B (mm)	520	520	520	520	720	720	720
C (mm)	1685	1685	1685	1685	1900	1900	1900
D (mm)	950	950	1300	1300	1610	1610	1610
E (mm)	535	535	535	535	535	535	535



Ref	Diameter (mm)	Connection (mm)	Flow rate at 20m ³ /h/m ²	Flow rate at 30m ³ /h/m ²	Flow rate at 40m ³ /h/m ²	Filtration area (m ²)	Sand (Kg)		Glass (Kg)	Weight (kg)	Unassembled Batteries Reference
							(1-2mm)	(0.4-0.8mm)			
HCFA40752LVA	1050	75	17	26	34	0.86	150	1 150	1 180	133.5	HCB754UN
HCFA47902LVA	1200	90	23	34	45	1.13	200	1 525	1 560	157.5	HCB904UN
HCFA551102LVA	1400	110	31	46	62	1.54	375	2 075	2 220	201.5	HCB1104UN
HCFA631102LVA	1600	110	40	60	80	2.01	500	2 725	2 920	250.7	HCB1104UN
HCFA701252LVA	1800	125	51	76	102	2.54	650	3 450	3 700	336.6	HCB1254UN
HCFA791402LVA	2000	140	63	94	126	3.14	1 000	4 250	4 740	361.2	HCB1404UN
HCFA871602LVA	2200	160	76	114	152	3.80	-	-	-	412.7	HCB1604UN